



NANO GRILLF-2 SMOKELESS

COMMERCIAL COOKING APPLIANCE

VOLTAGE 120V, 60Hz
Single Phase, 1,500W
Automatic Timer for 60min.
15AMP Dedicated Circuit

- 1 CLEAN & ODORLESS ENVIROMENT
- 2 NO MORE SMOKE & CHARRED MEAT
- 3 ECO-FRIENDLY PRODUCTS
- 4 SAVE ENERGY & COSTS
- 5 UL CERTIFIED PRODUCTS



Table of Contents



| | | |
|--------------------|-------|----|
| Safety Information | ----- | 1p |
|--------------------|-------|----|

How to use

| | | |
|----------------------------------|-------|----|
| Product Maintenance and Checkout | ----- | 2p |
| Product Specification | ----- | 2p |

Before using

| | | |
|------------------------------|-------|----|
| Electricity | ----- | 3p |
| Assembly Order | ----- | 4p |
| Re-assembling after cleaning | ----- | 5p |
| Product Size | ----- | 6p |

Safety Information

This information is to secure the user's safety and handle this product with safety and to prevent any property damages by preventing accidents caused by the user's fault.



Warning

Death or serious wound might occur if you don't follow the information.



Caution

Damager on human bodies or property loss might occur if you don't follow the information.



120V

This product operates only on 120V rated voltage.



Product Maintenance and Handling



Caution

when you handle the product, unplug it and put on gloves.

Damages from electric shock and burns might occur.

Handle the product after it cools down completely.



Don't Do not disassemble, fix, or remodel this produce on your own.

Do not let this product disassembled, fixed, and revised by others who are not the authorized service man.

Damages caused by overheating and malfunction might occur.



Don't Do not spread water

Do not water the surface of the product. This might cause short circuit, electric shock, and fire.



Don't Do not use flammables like thinner or benzene in cleaning.

Flammables like thinner or benzene used for cleaning might cause combustion.



Warning

When you handle the product, unplug it and put on gloves.

Damages might occur without gloves.

Product Specification

| Type | Specification | Table Holes |
|---------------------|---------------------------------|---|
| Model | GRILL-F2 | <p>360ϕ</p> <p>100mm</p> <p>220mm</p> <p>space 25mm</p> |
| Electricity Voltage | Single-phase current 120V, 60Hz | |
| Electricity Output | 1500W | |
| Time | Automatic Timer for 60 min | |
| Weight | 14Kg | |

Electricity



Warning

This product operates only on 120 volts. Plug in into an electric outlet of 120 volts over 15A

Make sure that the electricity volts are equal to the description on the sticker on the bottom. Be aware of the risk of electric shock and fire.



Warning

Do not use a loose outlet or the plug when the electric cord is damaged from shocks.

Be aware of the risk of electric shock and fire.



Don't

Do not touch the electric plug with wet hands.

Be aware of the risk of electric shock and fire.



Warning



Don't

Do not touch by pulling the electric cord.

Be aware of the risk of electric shock and fire.



Don't

Do not put the product on fire without setting up the roasting plate. Do not use this product for the purpose of heater.

This might cause fire and malfunction



Warning

Make sure that the plug is free of attachments and push it down to the end of the outlet.

Be aware of the risk to electric shock and fire.



Assembly Order



Insert the parts into the ROASTER in the order of the numbers.

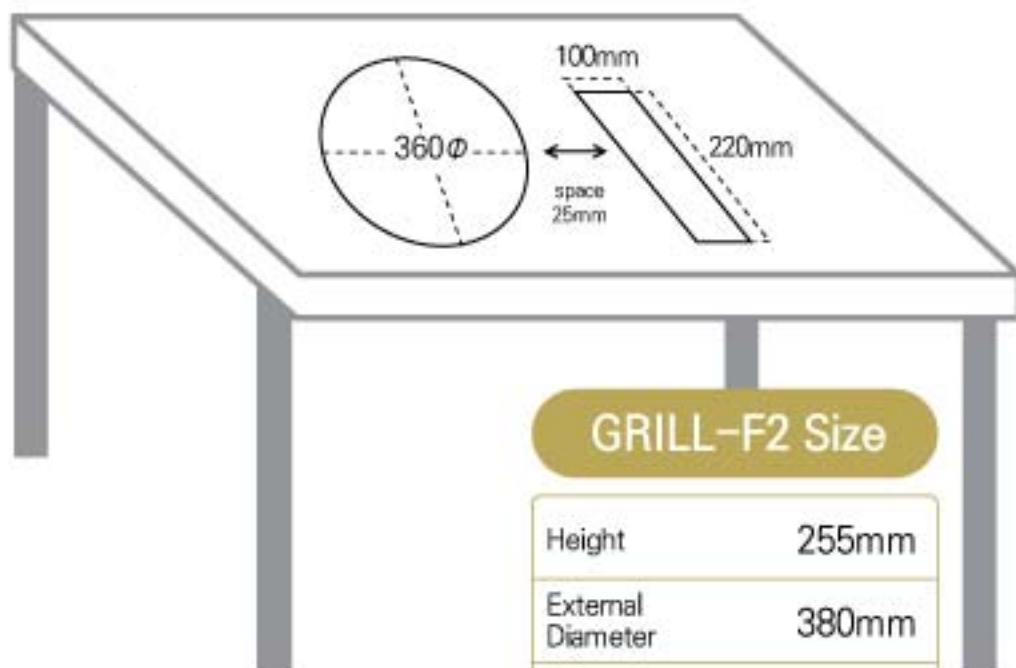
Control Box

Re-assembling after cleaning



1. Set up the dotted line upward
2. Load ③ into the inside of ②, and put it onto the body
3. Make sure to use 1 portion out 2 portion within an oil container.

Product Size



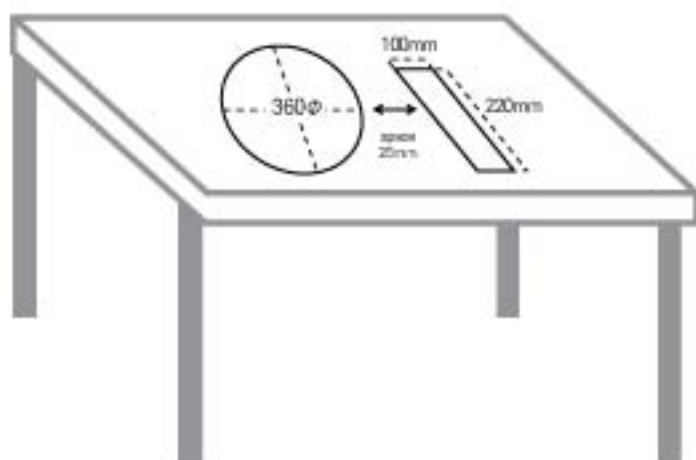
GRILL-F2 Size

| | |
|--------------------------|-------|
| Height | 255mm |
| External Diameter | 380mm |
| Internal Diameter | 350mm |
| Bottom External Diameter | 295mm |

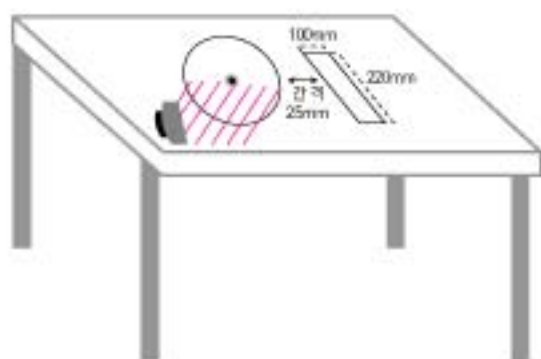


- ① Roaster body
- ② Motor
- ③ Control Box
- ④ Converter

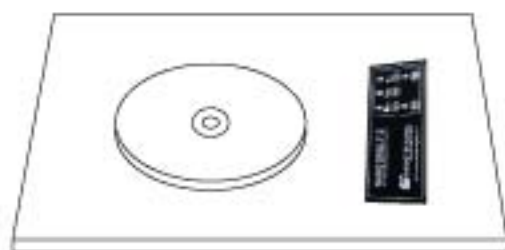
How to set up a table



1. put the parts in the order of ④,③,②,① into 360φ



2. Fix the ② Motor into the body.



3. Set up the empty control box from the table bottom toward the surface.

4. Fix the converter box from the table bottom with bolts.

CLEANING

WARNING: To avoid electrical shock, never clean grill inside with plugged into an outlet or turn on.

CLEANING THE NANO WELLBEING GRILL F-2 / INSIDE COMPARTMENT

1. The Nano wellbeing grill F-2 / inside grill compartment base, side back panel can be cleaned using multipurpose disinfectant cleaner with warm soapy water and a nonabrasive or soft cloth by weekly. Ensure that the manufacturer's instructions are followed and that all parts are well rinsed afterwards. Uncleaning inside grill can cause product defects.

2. Switch off the grill from the electricity supply before cleaning (water/soap) and ensure the grill is cold.

3. Gently replace the ramp to allow access to the grill. **DO NOT FORCE** the element to open or remove. Use right size screw or tools and gently push the grill element back into place after ramp replace. Handle carefully for glass part with cotton gloves.
Please check YOUTUBE VIDEO instruction!

4. Replace Fuse repeat as same as above. (250V 15AMP) Please check YOUTUBE VIDEO instruction!

Ensure the screw is firmly in place after cleaning or replacing part.

WARRANTY INFORMATION

| | |
|----------------------------|---|
| PRODUCT COVERED | All Parts, One Year Unlimited Warranty. |
| WARRANTY PERIOD | One year from the product purchase date until the first anniversary of the product purchase date. |
| WARRANTY COVERAGE | Defects in materials and workmanship under normal use. |
| WARRANTY EXCLUSIONS | Normal wear and tear or misuse/abuse or modification of the product. <i>*Service/Shipping & Handling Charge may apply when warranty expires.</i> |
| PROOF OF PURCHASE REQUIRED | YES |

This warranty is provided by Nano wellbeing grill(USA) to the original purchaser who purchased the product from an authorized dealer of Nano wellbeing grill F-2. This warranty is not transferable. Unless prohibited by applicable law, this warranty does not apply to products purchased from unauthorized sellers, including unauthorized internet sites. In order to process a warranty claim that is filed, we require a proof of purchase and images of the damaged product. This warranty gives you specific legal rights, and you may also have other rights which vary from State to State. If you need assistance related to warranty matters, please go to official website (<http://nanotechgrill.com>) or communicate with us at Nano Wellbeing Grill(USA), 18623 Hwy 99, ste 220 Lynnwood, WA 98037, 425-582-9327 to file a warranty claim.

